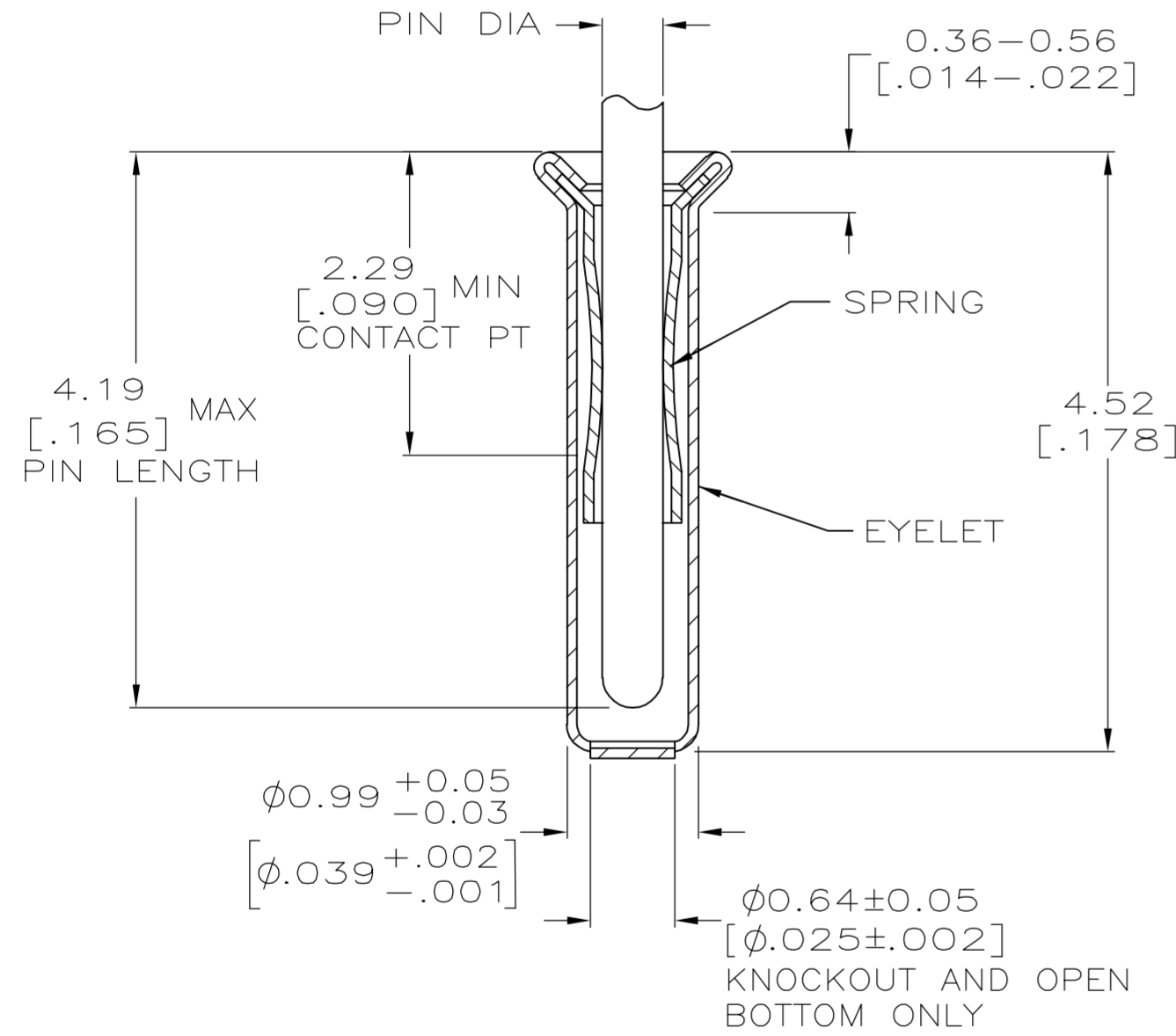
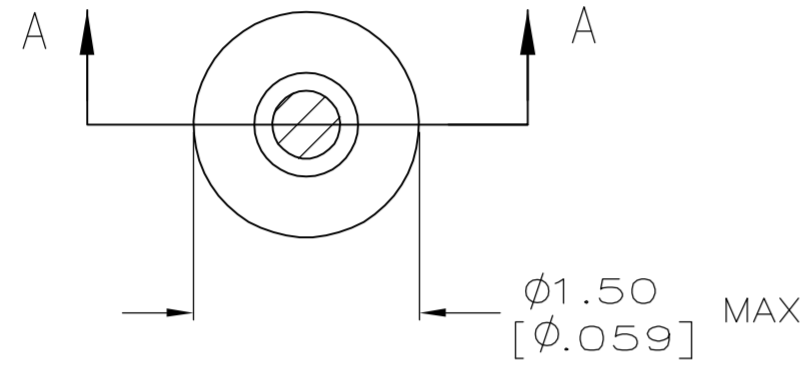


THIS DRAWING IS UNPUBLISHED. RELEASED FOR PUBLICATION
 © COPYRIGHT BY TYCO ELECTRONICS CORPORATION. ALL RIGHTS RESERVED.

LOC	DIST	REVISIONS			
P	LTR	DESCRIPTION	DATE	DWN	APVD
FT	64	0	PER EC-0S11-0022-05	22APR2005	AF JGH



SECTION A-A

- 1. TIN PLATE PER ASTM B 545 .000254 [.000100] MIN THICK.
- 2. GOLD PLATE PER ASTM B 488, 0.00076 [.000030] MIN THICK OVER NICKEL PLATE PER QQ-N-290 0.00028 [.000011] MIN THICK ON CONTACT AREA.
- 3. RECOMMENDED HOLE SIZE, PLATED OR UNPLATED:
 MACHINE INSERTION: 1.04±0.03 [.041±.001]
 HAND INSERTION: 1.04 ^{+0.10}/_{-0.00} [.041 ^{+0.004}/_{-0.000}]
- 4. APPLICATION TOOL PART NUMBER:
 MACHINE NO. 682127-2
 INSERTION HEAD NO. 682039-1
- 5. TO INSURE PROPER SPRING TENSION DO NOT EXCEED A 0.10 [.004] DIFFERENCE IN PIN DIA WHEN CHANGING TO A SMALLER PIN.
- 6. BOTTOM PLUG KNOCKOUT TOOL PART NUMBER 69729 WITH TIP PART NUMBER 69728.
- 7. MATERIAL:
 SPRING: BERYLLIUM COPPER PER ASTM B 194
 EYELET: COPPER PER ASTM B 152

CLOSED KNOCKOUT	0.33-0.51 [.013-.020]	TIN 1	GOLD 2	2-5332095-4
BOTTOM TYPE	RECOMMENDED PIN DIA 5	EYELET	SPRING	1-5332095-9
		FINISH		PART NO

THIS DRAWING IS A CONTROLLED DOCUMENT.		DWN A. FERNANDEZ-DOCK5 22APR2005	Tyco Electronics Corporation Harrisburg, PA 17105-3608	
DIMENSIONS: mm [INCHES]		CHK J. HAVENER 22APR2005	NAME MINIATURE SPRING SOCKET ASSEMBLY SERIES 1	
TOLERANCES UNLESS OTHERWISE SPECIFIED:		APVD J. HAVENER 22APR2005	PRODUCT SPEC 108-14008	
0 PLC ± -		APPLICATION SPEC 114-13152	SIZE A2	CAGE CODE 00779
1 PLC ± -		WEIGHT -	DRAWING NO C=5332095	RESTRICTED TO -
2 PLC ± -		FINISH SEE TABLE	SCALE 20:1	SHEET 1 of 1
3 PLC ± 0.20 [.008]		CUSTOMER DRAWING	REV 0	
4 PLC ± -				
ANGLES ± -				